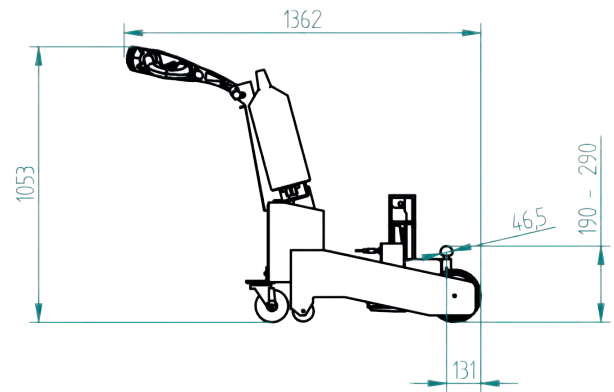
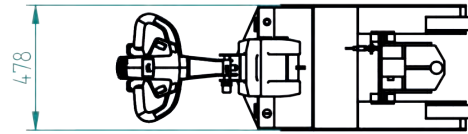




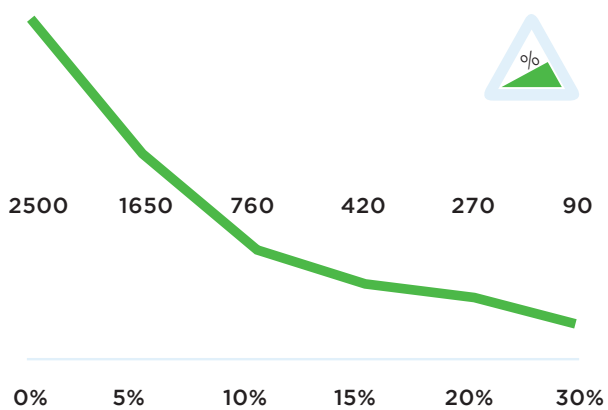
Specifications T2500-P

Frame	Steel, powder coated
Drive	24V DC, 600W, 100 rpm
Weight	154 kg
Weight trailer	2500 kg
Battery	Exchangable batterypack
Speed	Max. 3,8 km/h
Drive wheels	Vulcolan ø200x55 mm
Width	478mm
Length	1362mm
Adze height	750-1053 (variable)
Noise level	68,5 dB
To use from	-40 °C / 70 °C
Protection class	Machine IP44
Lifting capacity	1500 kg

Dimensions T2500-P



Pulling power T2500-P (in kg)



**Measured with a trolley with 2 swivelwheels and 2 fixed castors. Wheel diameter: 160mm*

Standard T2500-P



Standard parts T2500-P

Battery charger Lithium
29,4V-10A



Item number:
OPT0013

Battery Lithium-LiFePO4,
36Ah GREEN



Item number:
OPT0106

Drive wheel Ø200 B50 d20
mm



Item number:
M0340

Adjustable tillerhead



Item number:
Standardpart 1

Safety switch



Item number:
Standardpart 2

2 programmable speeds



Item number:
Standardpart 3

Standard parts T2500-P

Engine 600W 100RPM
BRAKE 6911413X



Item number:
M2098

LED battery indicator
LBF318-24V



Item number:
M0123

Options T2500-P



Built-in Charger 4A
T2500-P surcharge

Article number:
OPT0222



Slow speed with load
T2500-P

Article number:
OPT0019



Horn 90dB

Article number:
OPT0045



Emergency stop complete

Article number:
OPT0063



Strobelight cast iron tiller
head

Article number:
OPT0076



Acoustic signal driving
backwards

Article number:
OPT0254



hour counter complete

Article number:
OPT0056



Antistatic strip

Article number:
OPT0058



Code lock

Article number:
OPT0068



Document holder

Article number:
OPT0127



Ignition key unequal key

Article number:
OPT0145



Ignition key equal key 701

Article number:
OPT0146

Options T2500-P



Customized programming

please indicate specific settings

Article number:
OPT0170



Programmer for Italsea

Article number:
D0003



Charging Station for 1
Lithium battery

*Wallmounting chargerstation
with lithium battery charger
29,2 V, 10 A*

Article number:
OPT0023



Charging station for 5
Lithium batteries

Article number:
OPT0029



25mm higher ball L=145

Article number:
OPT0192



Movexx Parking label

Article number:
OPT0245



Ball, height: 60mm for
T1000-P

Article number:
OPT0183



50 mm higher ball
T2500-P

Article number:
OPT0215



Lift module T2500-P
50mm higher/deeper

Article number:
OPT0216



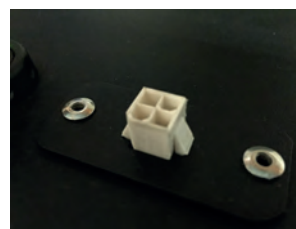
Tow Ball Ø 45mm L =
155mm T1000-P

Article number:
OPT0224



Manual release T2500-P

Article number:
OPT0232



Diagnostic connector

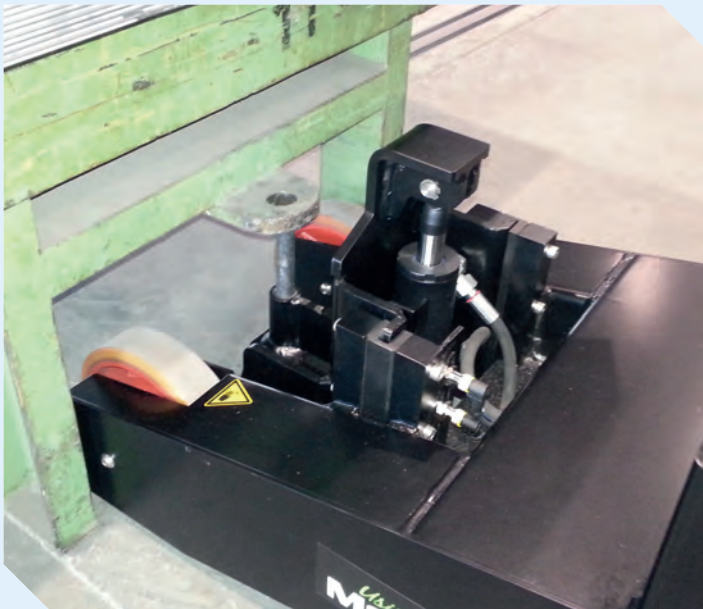
Article number:
OPT0270

Options T2500-P



Screw tube for T1000-P +
T2500-P

Article number:
OPT0301



Movexx International B.V.

Generatorstraat 17

3903 LH Veenendaal

Tel +31 (0)318 51.99.00

Fax +31 (0)318 50.80.20

E-mail info@movexx.nl