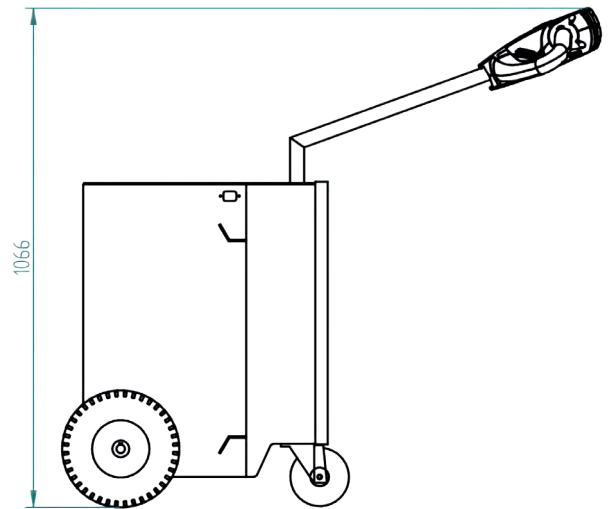
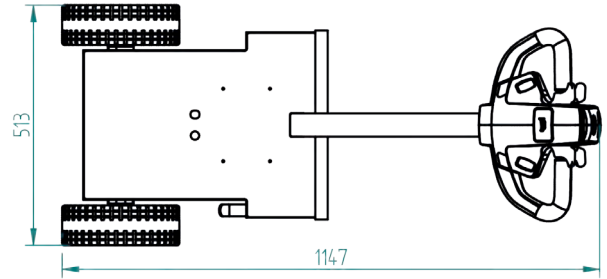




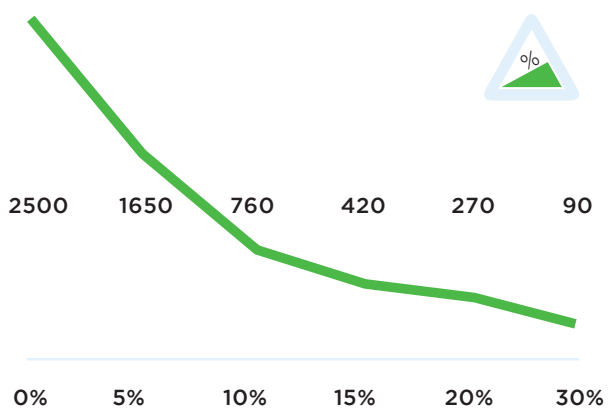
## Specifications T2500-CLEAN ROOM

Frame	Stainless steel, glass pearl blasted
Drive	24V DC, 600W, 100 rpm
Weight	250 kg
Weight trailer	2500 kg
Battery	Built in, 24V, 75 Ah
Speed	Max. 4,7 km/h
Drive wheels	Non marking full rubber ø250x80 mm
Width	513mm
Length	1147mm
Adze height	1066mm
Folded	N/A
Noise level	68,5 dB
To use from	-40 °C / 70 °C
Protection class	Machine IP44

## Dimensions T2500-CLEAN ROOM



## Pulling power T2500-CLEAN ROOM (in kg)



\*Measured with a trolley with 2 swivelwheels and 2 fixed castors.  
Wheel diameter: 160mm

## Standard T2500-CLEAN ROOM



## Standard parts T2500-CLEAN ROOM

Battery 12V-80A



Item number:  
M2102

Battery charger 24V 10A  
AGM external ind



Item number:  
M2134

Non-marking driving  
wheel (full-rubber)



Item number:  
M0249

Safety switch



Item number:  
Standardpart 2

2 programmable speeds



Item number:  
Standardpart 3

## Standard parts T2500-CLEAN ROOM

Engine 600W 100RPM  
BRAKE 6911413X



Item number:  
M2098

LED battery indicator  
LBF318-24V



Item number:  
M0123

## Options T2500-CLEAN ROOM



Horn 90dB

Article number:  
OPT0045



Emergency stop complete

Article number:  
OPT0063



Acoustic signal driving backwards

Article number:  
OPT0254



Flashlight tube tiller head support (st)

Article number:  
OPT0415



Document holder with clip

Article number:  
OPT0053



hour counter complete

Article number:  
OPT0056



Antistatic strip

Article number:  
OPT0058



Code lock

Article number:  
OPT0068



Ignition key unequal key

Article number:  
OPT0145



Ignition key equal key 701

Article number:  
OPT0146



Customized programming

*please indicate specific settings*

Article number:  
OPT0170



Programmer for Italsea

Article number:  
D0003

## Options T2500-CLEAN ROOM

Hook locking system



Article number:  
OPT0012

Lifting module for Hooks  
stainless steel



Article number:  
OPT0050-RVS

Electrical locking module  
for hook



Article number:  
OPT0129

Movexx Parking label



Article number:  
OPT0245

HA245.55.45.0.0 (RVS)



Article number:  
H0004 CLEAN RM

Pen for drawbar Ø16mm  
stainless steel



Article number:  
H0069

HD245.10.35.0.50



*Fronthook for Hatchery trolleys  
(EMKA)*

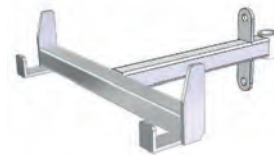
Article number:  
H0090

Vacuum hook for stainless  
steel trolleys



Article number:  
H0093

Clean Room Hook for  
hatching trolleys



*HA360.34.26.0.0 Stainless Steel*

Article number:  
H0111

Coupling nettingscontai-  
ner,



*Nettings 6mm*

Article number:  
K0007

Coupling rollcontainer



*Nettings 10mm.*

Article number:  
K0008

Coupling Rollcontainer



*Width 42 mm.*

Article number:  
K0010

## Options T2500-CLEAN ROOM

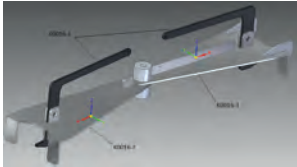
### Coupling Rollcontainer



*Suitable for rack Ø6 mm.(Deli XL)*

**Article number:**  
K0012

### Coupling for Norm trolleys



**Article number:**  
K0016

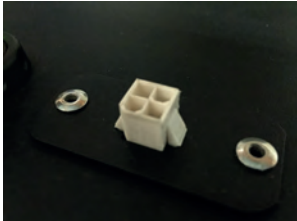
### Angle limitation



*Stainless steel*

**Article number:**  
OPT0244

### Diagnostic connector



**Article number:**  
OPT0270



## Movexx International B.V.

Generatorstraat 17

3903 LH Veenendaal

Tel +31 (0)318 51.99.00

Fax +31 (0)318 50.80.20

E-mail [info@movexx.nl](mailto:info@movexx.nl)