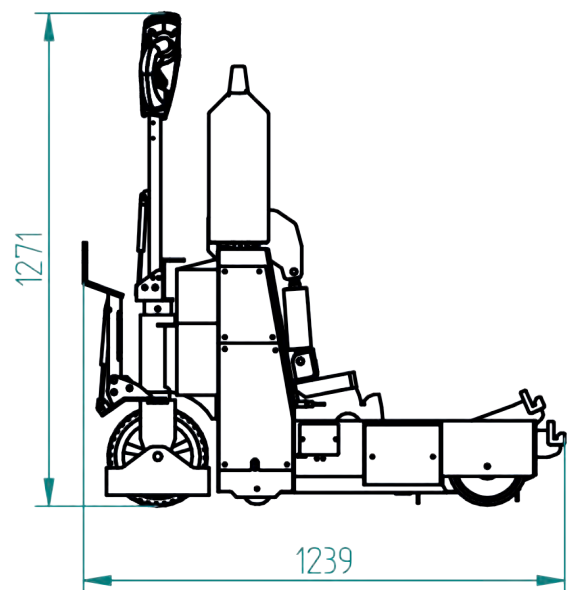
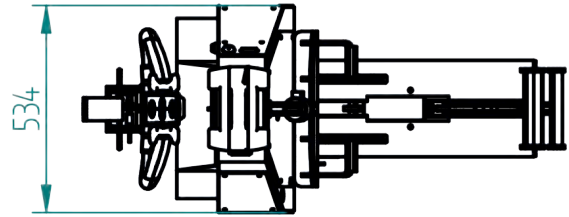




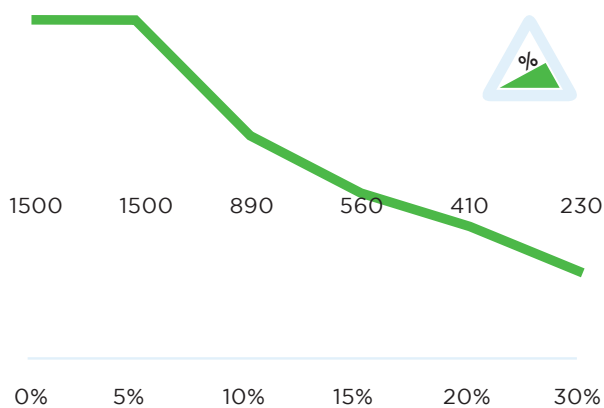
Specifications T1500-RZS

Frame	Steel, powder coated
Drive	24V DC, 600W, 100 rpm
Weight	180 kg
Weight trailer	1500 kg
Battery	Exchangable batterypack
Speed	Max. 3,8 km/h
Drive wheels	Vulcolan ø200x55 mm
Width	534mm
Length	1239mm
Adze height	1271mm (variable)
Folded	
Noise level	68,5 dB
To use from	-40 °C / 70 °C
Protection class	Machine IP44
Lifting capacity	800 kg

Dimensions T1500-RZS



Pulling power T1500-RZS (in kg)



*Measured with a trolley with 2 swivelwheels and 2 fixed castors. Wheel diameter: 160mm

Standard T1500-RZS



Standard parts T1500-RZS

Charger 24V 5A incl. charging cable



Item number:
OPT0009

Batterie AGM 22Ah



Item number:
OPT0110

Drive wheel Ø200 B50 d20 mm



Item number:
M0340

Adjustable tillerhead



Item number:
Standardpart 1

Safety switch



Item number:
Standardpart 2

2 programmable speeds



Item number:
Standardpart 3

Standard parts T1500-RZS

Engine 600W 100RPM
BRAKE 6911413X



Item number:
M2098

LED battery indicator
LBF318-24V



Item number:
M0123

Options T1500-RZS



Battery Lithium-LiFePO4,
36Ah GREEN

Article number:
OPT0106



Battery upgrade to Lithi-
um-LiFePO4, 36Ah

*iso AGM Battery (!) Including
upgrade to lithium charger
10A*

Article number:
OPT0107



Batterie AGM 22Ah

Article number:
OPT0110



Emergency stop complete

Article number:
OPT0063



Strobelight

Article number:
OPT0065



Safety fender for steering
wheel

Wheel Shield

Article number:
OPT0079



Acoustic signal driving
backwards

Article number:
OPT0254



hour counter complete

Article number:
OPT0056



Horn 90dB

Article number:
OPT0057



Antistatic strip

Article number:
OPT0058



Code lock

Article number:
OPT0068



Ignition key unequal key

Article number:
OPT0145

Options T1500-RZS

Ignition key equal key 701



Article number:
OPT0146

Drive protection



Tiller head in straight up position

Article number:
OPT0153

Customized programming



please indicate specific settings

Article number:
OPT0170

Programmer for Italsea



Article number:
D0003

Wall mounted Charger, for AGM battery



Complete charger-unit Including AGM battery charger (5 Ah)

Article number:
OPT0015

Charging Station for 1 Lithium battery



Wallmounting chargerstation with lithium battery charger 29,2 V, 10 A

Article number:
OPT0023

Charging station for 5 Lithium batteries



Article number:
OPT0029

Charging station for 5 batteries



Upright standing charging station with five separate AGM battery chargers 24 V, 5 A

Article number:
OPT0039

Upgrade to charging station



Article number:
OPT0261

Hook function RZ&RZS



Inside use only. Max 7 km/h

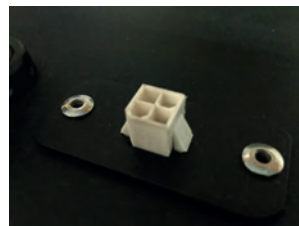
Article number:
OPT0194

Movexx Parking label



Article number:
OPT0245

Diagnostic connector



Article number:
OPT0270



Movexx International B.V.

Generatorstraat 17

3903 LH Veenendaal

Tel +31 (0)318 51.99.00

Fax +31 (0)318 50.80.20

E-mail info@movexx.nl