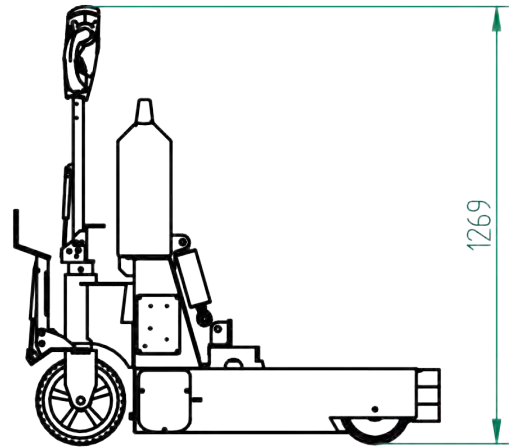
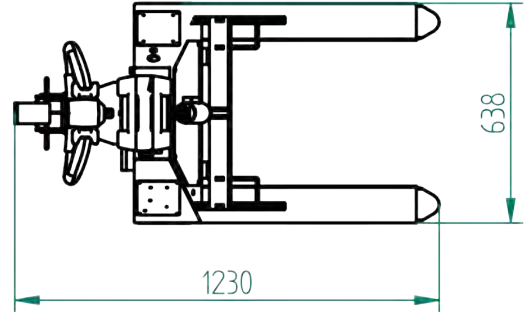




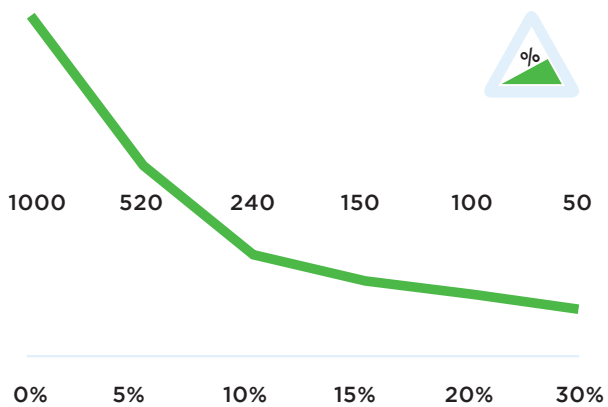
## Specifications T1000-RZ

Frame	Steel, powder coated
Drive	24V DC, 300W, 100 rpm (inc. parking brake)
Weight	154 kg
Weight trailer	Max. 1000 kg
Battery	Exchangable batterypack
Speed	Max. 3,8 km/h, freely programmable
Drive wheels	Vulcolan ø200x55 mm
Width	638mm
Length	1230mm
Adze height	1269mm
Folded	
Noise level	63,8 dB
To use from	-40 °C / 70 °C
Protection class	Machine IP44
Lifting capacity	600 kg
Lifting capacity	600 kg

## Dimensions T1000-RZ



## Pulling power T1000-RZ (in kg)



\*Measured with a trolley with 2 swivelwheels and 2 fixed castors. Wheel diameter: 160mm

## Standard T1000-RZ



## Standard parts T1000-RZ

Charger 24V 5A incl. charging cable



Item number:  
OPT0009

Drive wheel Ø200 B50 d20 mm



Item number:  
M0340

Adjustable tillerhead



Item number:  
Standardpart 1

Safety switch



Item number:  
Standardpart 2

2 programmable speeds



Item number:  
Standardpart 3

## Standard parts T1000-RZ

Motor 300W 100RPM with brake



Item number:  
M1033

LED battery indicator LBF318-24V



Item number:  
M0123

## Options T1000-RZ



Battery Lithium-LiFePO4,  
36Ah GREEN

Article number:  
OPT0106



Battery upgrade to Lithi-  
um-LiFePO4, 36Ah

*iso AGM Battery (!) Including  
upgrade to lithium charger  
10A*

Article number:  
OPT0107



Emergency stop complete

Article number:  
OPT0063



Strobelight

Article number:  
OPT0065



Safety fender for steering  
wheel

*Wheel Shield*

Article number:  
OPT0079



Acoustic signal driving  
backwards

Article number:  
OPT0254



hour counter complete

Article number:  
OPT0056



Horn 90dB

Article number:  
OPT0057



Antistatic strip

Article number:  
OPT0058



Code lock

Article number:  
OPT0068



Ignition key unequal key

Article number:  
OPT0145



Ignition key equal key 701

Article number:  
OPT0146

## Options T1000-RZ



### Drive protection

*Tiller head in straight up position*

Article number:  
OPT0153

### Customized programming



*please indicate specific settings*

Article number:  
OPT0170



### Programmer for Italsea

Article number:  
D0003



### Wall mounted Charger, for AGM battery

*Complete charger-unit Including AGM battery charger (5 Ah)*

Article number:  
OPT0015



### Charging Station for 1 Lithium battery

*Wallmounting chargerstation with lithium battery charger 29,2 V, 10 A*

Article number:  
OPT0023



### Charging station for 5 Lithium batteries

Article number:  
OPT0029



### Charging station for 5 batteries

*Upright standing charging station with five separate AGM battery chargers 24 V, 5 A*

Article number:  
OPT0039



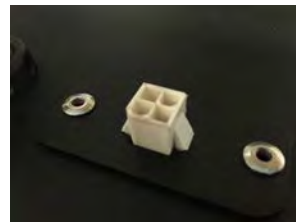
### Upgrade to charging station

Article number:  
OPT0261



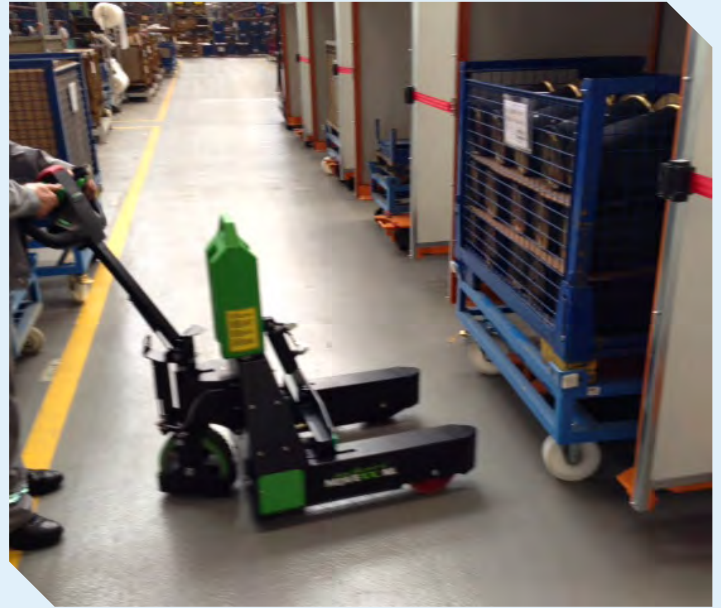
### Movexx Parking label

Article number:  
OPT0245



### Diagnostic connector

Article number:  
OPT0270



## Movexx International B.V.

Generatorstraat 17

3903 LH Veenendaal

Tel +31 (0)318 51.99.00

Fax +31 (0)318 50.80.20

E-mail [info@movexx.nl](mailto:info@movexx.nl)