



Movexx **T1000-Clean Room**
PARTS & OPTIONS
2019

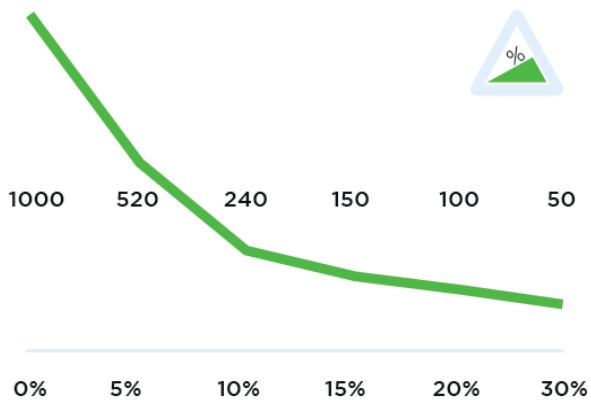
Specifications

Technical details

| | |
|-------------------------|--|
| Frame | Stainless steel, glass pearl |
| blastedMotor | 24V DC, 300W, 100 rpm |
| Weight | 43 kg (incl. battery) |
| Weight trailer | Max. 1000 kg |
| Battery | Built in |
| Speed Max. | 5 km/h, freely programmable |
| Drive wheels | Non marking full rubber Cleanroom, Ø 250x80mm |
| Adze height | 1056mm |
| Noise level | 63,8 dB |
| To use from | -10 °C / 40 °C |
| Protection class | Machine IP44 |

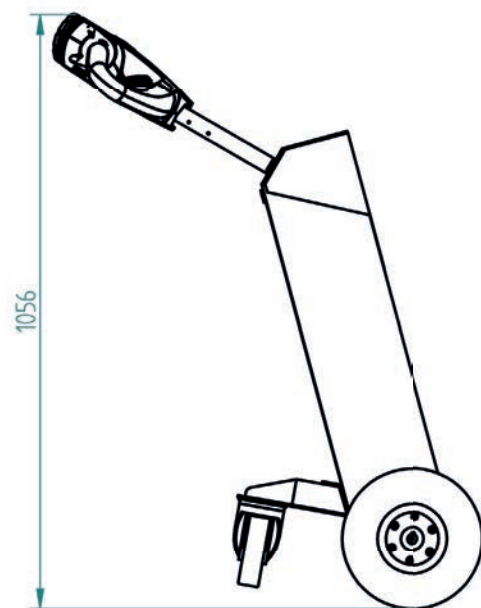
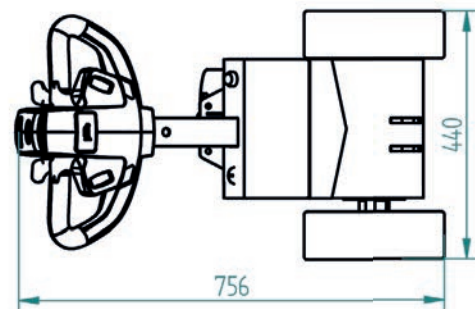
© 2019 Movexx International B.V. The images shown are used for illustration purposes only and may differ from the products indicated. No rights can therefore be derived from it. Printing errors are subjected to change.

Pulling power (in kg)



Measured with a trolley with 2 swivelwheels and 2 fixed castors. Wheel Ø 160 mm.

Dimensions



Standard parts



Motor 300W / 100rpm
(6911345X) without brake
Item number M1032



Battery AGM-VRLA block
12V / 22Ah
Item number M0076



LED battery indicator
Item number M0123



Charger (internal)
AGM battery 24V / 5A
+ external indicator
Item number M0246



Drive wheel, Cleanroom
full rubber, non-marking
Gray Ø 250 x 80mm
Item number M0249



Belly button RED
Item number M0121-BBUT

Standard parts



2 programmable speeds

Options



Horn 90dB for
stainless steel
tiller head supp.
Item number OPT0414



Horn 103dB
Item number OPT0059

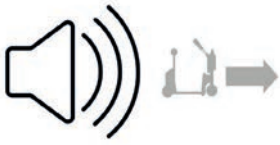


Emergency stop complete
Item number OPT0063

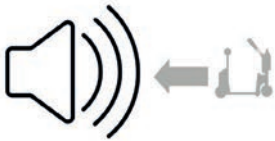


Strobe light for
stainless steel
tiller head supp.
Item number OPT0415

Options



Audio signal
(while driving)
Item number OPT0253



Audio signal
(driving backward)
Item number OPT0254



Electromagnetic
parking brake
Item number OPT0004



Counterweight (front)
30kg stainless steel
Item number OPT0035



Hour tracker
Item number OPT0056



Antistatic strip
Item number OPT0058

Options



Code lock
Item number OPT0068



Document holder for
stainless steel
tiller head supp.
Item number OPT0053



Preparation electric hook
Item number OPT0143



Protection for electric
connection, stainless steel
Item no OPT0263-RVS



On/off rotary switch
Item number OPT0016



Parking floorlabel Ø 60 cm
Item number OPT0245

Options



Customized programming
*Please indicate
specific settings*
Item number OPT0170



Programmer for Italsea
Item number D0003



Urgent order purchase
Item number SPOED

Batteries & Chargers



Battery AGM-VRLA block
12V / 22Ah
Item number M0076



Charger (internal)
AGM battery 24V / 5A
+ external indicator
Item number M0246

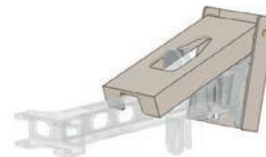
Adapters



Base part hook 15°
Stainless steel
Item number H7011



Angle limitation hook 15°
Item number OPT0218



Hook locking system
stainless steel
Item number OPT0012



Electric lifting module
for hook, stainless steel
Item nr OPT0050-RVS



Electric locking module
for hook
Item number OPT0129



Clamping hook
(stainless steel)
Item number H0096

Adapters



HA245.55.45.0.0
(stainless steel)
Item nr H0004 Clean Rm



Vacuum hook
for stainless steel trolley
Item number H0093

Most common spareparts



Switch buttons (2x) green
Item number M0121-KNOP-GROEN



Switch tiller head
excl. buttons
Item number M0121-FLIPPER



Feather/shaft Throttle
Item number M0121-4

Most common spareparts



Battery AGM-VRLA block
12V / 22Ah
Item number M0076



Switch FAST/SLOW
tiller head green
Item number M0121-SPEED-GROEN



Charger (internal)
AGM battery 24V / 5A
+ external indicator
Item number M0246



Switch ON/OFF
tiller head green
Item number M0121-AANUIT-GROEN



Belly button RED
Item number M0121-BBUT



Torsion spring for hook
(stainless steel)
Item number M0117

Most common spareparts



Tube for spring
Item number M0116-1



Italsea drive controller
in 24V / 36 bat,
in 10A / I_{max} 45A
Item number M1122



Carbon brushes (set of 4)
for Motor 300W
Item number M0186



LED battery indicator
(build-in)
Item number M0318



Cable harness 3
Item number M1133



Chassis cable charger
Item no M0158-Stecker

Most common spareparts



Fuse 5A
Item number M0506



Fuse Maxi 40A
Item number M0254



Drive wheel, Cleanroom
full rubber, non marking
Gray Ø 250 x 80 mm
Item number M0249



Castor wheel
Gray Ø 80 mm
Item number M0119

applications

